

DECLARATION OF CONFORMITY
DECLARACIÓN DE CONFORMIDAD



The company / *La Empresa:*

BASOR ELECTRIC, S.A.

Address / *Dirección:*

Av. Alcodar, 45-47, 46700. Gandía (VLC), Spain.

Declares that the product:

Declara que el producto:

BASORSUPPORT PSHGR REINFORCED PROFILE WITH HEAD / BASORSUPPORT PSHGR PERFIL REFORZADO CON CABEZAL

Installed in accordance to the installation standards, manufacturer's instructions and professional rules, duly maintained and used for the applications as intended.

Instalado de acuerdo con las normas de instalación, instrucciones del fabricante y conforme a las reglas profesionales, debidamente mantenido y utilizado en las aplicaciones para las que está previsto.

Complies with the essential requirements of the Council Directives:

Cumple con los requisitos esenciales de las Directivas del Consejo:

2014/35/UE (Low Voltage Directive) / (Directiva de Baja Tensión)

Incorporated in the Spanish Legislation in: R.D. 7/1988 and its modification R.D. 154/1995.

Incorporado en la Legislación Española en: R.D. 7/1988 y su modificación R.D. 154/1995.

And it is suitable and safe for the intended use and it is in conformity with the following standard:

Es adecuado y seguro para el uso a que está destinado y es conforme con la siguiente norma:

UNE EN 61537

Additional information:

Información adicional:

This product is intended to be installed and maintained by skilled persons, it may be used by ordinary persons only as a replacement part, to substitute for an identical device.

Este producto está previsto para ser instalado y mantenido por un profesional, puede ser usado por una persona no formada para reemplazamiento de uno idéntico.

Place and date:

Lugar y fecha:

Gandía April 2016

Gandía Abril 2016

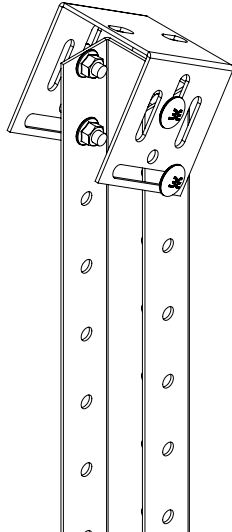
Technical department / *Departamento Técnico*



Certificado Nº SGI 3198065/11

Certificado Nº SGI 3198065/12

PROFILE PSHGR + HEAD KSHGR



Models (L):

600

Finishes: GSP

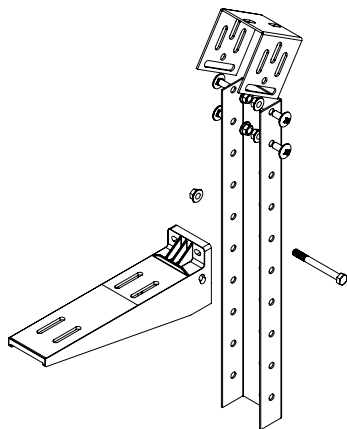
Characteristics:

- Metallic
- Non-flame propagating component
- Resistance to corrosion equivalent class: 8
- Minimum Temperature: -50 °C
- Maximum Temperature: 150 °C

Related products:

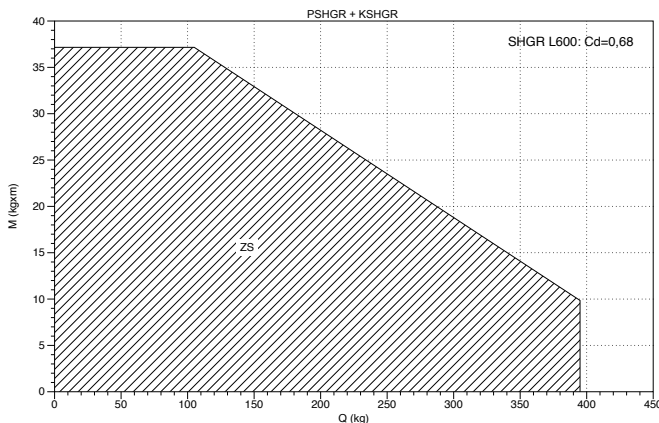
- SHG supports.

MOUNTING INSTRUCTIONS



- To assembly the head to the ceiling, two anchors BASORFIX SCM 10x75 are needed.
- To fix the reinforced profile to the head four set B2 (2/5392) are required.
- To assembly horizontal supports SHG one pin PAS SHG i304 (2/7228) are needed. For SHG 400 and SHG 600 models two pins are required.

SAFE WORKING LOAD



SIMPLIFIER LOADING ON ONE SIDE

B(mm)	100	150	200	300	400	600
Q(kg)	236	210	189	157	135	105
f(mm)L=600	14	16	18	20	21	25

The table values are obtained from the graph for mounting on one side according to the width (B) of the horizontal support.

To determine the suitability of the support PSHGR + KSHGR, see the bending moment load relationship and worst drive bracket and check if you are working within the safe working load. To obtain the deformation of the element, the bending moment (M) is multiplied by the coefficient of deformation of the corresponding support (Cd). $f=M \cdot Cd$